

VALTORC

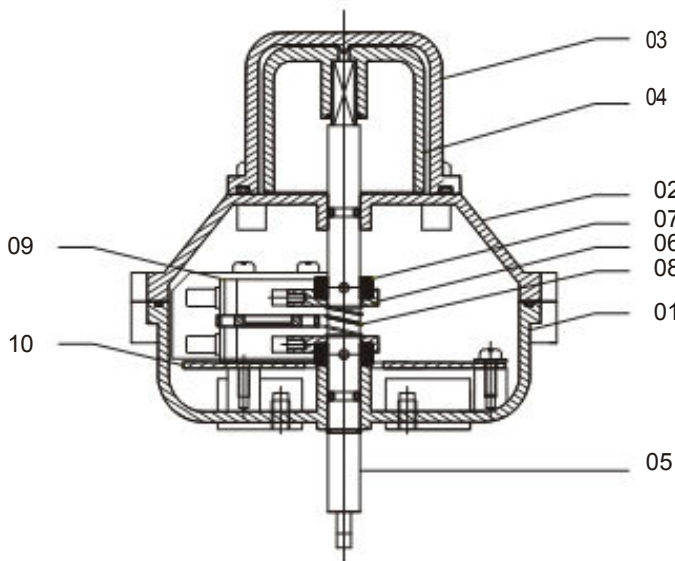
Valve Position Monitor (LSN4)

Features and Specifications

- ◆ Aluminum die cast powder coated body High corrosion resistance
- ◆ Polycarbonate dome
- ◆ Fully adjustable spring loaded cams for easy setting
- ◆ Special printed circuit board to eliminate all wiring from the switch elements to terminals
- ◆ Protection against short circuit
- ◆ (2) 1/2" conduit entries
- ◆ Namur mounting as standard
- ◆ Weather proof IP 65 / IP 67
- ◆ Temperature range : -20 °C to 80 °C
4 °F to 176 °F

Standard Options Available

- Cable Entry : 1/2" NPT (2)
: M20 x 1.5 (2 by adapter)
: 3/4" ET (2 by adapter)
- Brackets : Open (Metal)
- Body Material : Aluminum

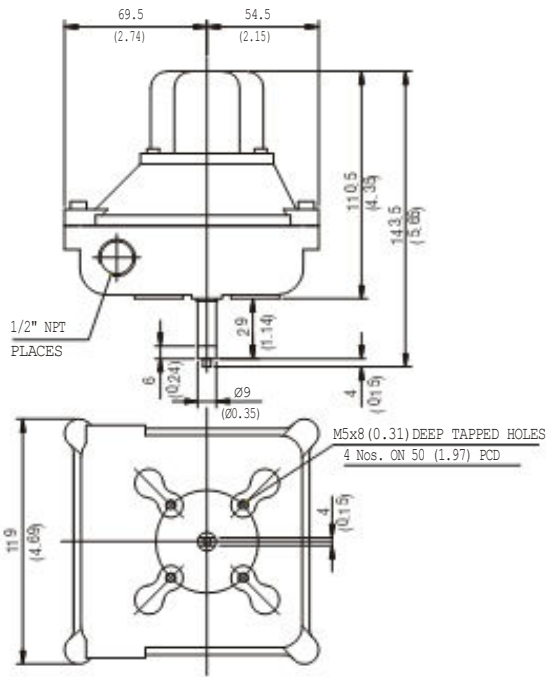


Num.	COMPONENT DESCRIPTION	MATERIAL / MAKE	QTY
01	BODY	ALUMINUM	1
02	TOP COVER	ALUMINUM	1
03	DOME COVER	POLYCARBONATE	1
04	DOME INDICATOR	ABS PLASTIC	1
05	SHAFT	SS 303	1
06	CAM	ABS PLASTIC	2
07	CAM GEAR	DELTRIN	2
08	SPRING	SPRING STEEL	1
09	LIMIT SWITCH	HONEYWELL	2
10	PCB	GLASS EPOXY	1

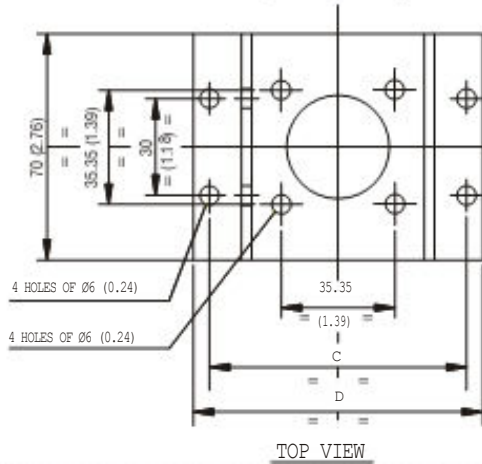
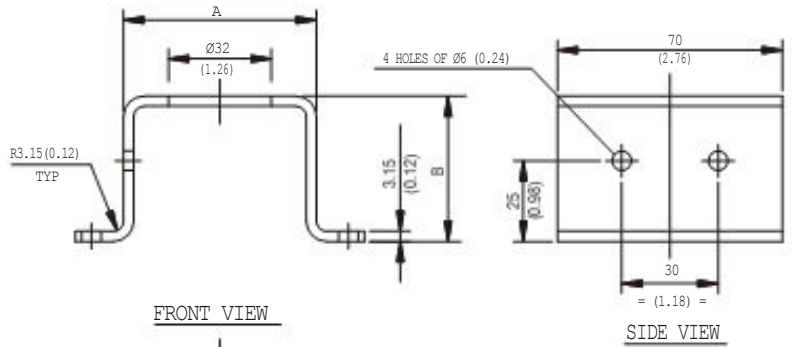
LIMIT SWITCH				
SWITCH TYPE	SWITCH MAKE	SWITCH MODEL	RATING	QTY
SPDT	VALTORC	VAT100	10 Amps, 125 or 250 V AC,	2
			220 V DC NO / NC	
INDUCTIVE SENSOR				
RECTANGULAR		VAT110	8V DC, 3 mA, Namur, NC	2
		VAT120	5 - 60 V DC, 100 mA, 2 Wire, NO	
		VAT130	8V DC, Namur, NC	
CYLINDRICAL		VAT140	8V DC, 3 mA, Namur, NC	2
		VAT150	5 - 60 V DC, 100 mA, 2 Wire, NO	
		VAT160	8V DC, 3 mA, Namur, NC	
		VAT170	8V DC, 3 mA, Namur, NC	
SLOTTED		VAT170	8V DC, 3 mA, Namur, NC	2



DIMENSIONS: LIMIT SWITCH



DIMENSIONS: METAL BRACKET



DIMENSIONS IN mm				
ACTUATOR SIZE	A	B	C	D
045 TO 100	60	45	80	90
115 TO 200	85	55	130	145

DIMENSIONS IN INCH				
ACTUATOR SIZE	A	B	C	D
045 TO 100	2.36	1.77	3.15	3.54
115 TO 200	3.35	2.17	5.12	5.71

Note : All dimensions given in brackets are in INCHES

VALTORC INTERNATIONAL
P.O. BOX 1928
KENNESAW, GA 30156

AJBENTAL@VALTORC.COM
WWW.VALTORC.COM
1-866-VALTROC

